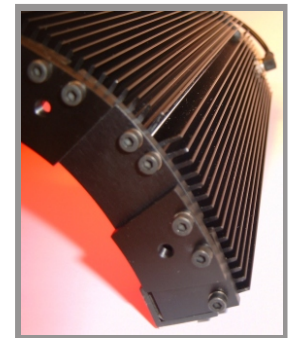


Professional Lighting Systems for Industrial Imaging

MODULA-M

the innovative, modular LED lighting system designed for a soft, homogeneous illumination of objects

- optical as well as mechanical advantages deriving from the tunnel design
- homogeneous, soft illumination of objects
- 64 luminous, high quality SMD-LED's per module
- standard-colors: red, IR oder white
- modules with or without lens hole
- different diffusors (rigid, flexible)
- each module is seperately controllable
- various versions: 12VDC, 24VDC or flash mode
- diffusor exchangeable by customer
- supplied standard filter-thread M 27 x 0,5 allows easy mounting to lens or camera
- overall high-quality execution



Modes of operation

DC-operation The lighting systems are available for 12VDC or 24VDC mode. When needed, they can be switched as many times as wanted by using programmable circuit-breakers (e.g. PLC). Usually the modules are operated jointly; on demand they can be constructed in a way that enables a seperately controlled operation for each module.

flash mode (Strobe) Each module can be flashed seperately by using a strobe controller or all modules can be flashed jointly.

Options

Intensity:

As option the MODULA-M can be equipped with 112 LEDs per module instead of 56 LEDs per module (Standard). This will roughly double the intensity of the MODULA-M.

Power supply:

the 12VDC models can be combined with the U-CONTROL (control of luminance) unit.
the Strobe models can be supplied matching the flash modules MAX, DUO or LFC

Dimensions:

the extension of a model can be varied by the systematical screening measurement of 56 mm

The tunnel conception

The tunnel conception offers some specific advantages: light is sent out from a wide stereoscopic area, and at the same time the influence of foreign light is reduced. Mobile objects can for example be transported on belts through the illuminated area. The high number of LEDs, the wide radiation angle, the highly efficient surface foil - serving as diffuser for a large catchment - together with further arrangements provide for a soft homogeneous illumination with mat or shiny and even - to a limited degree - reflecting surfaces. The many possible adjustments facilitate solutions for most diverse problems.

Advantages of the modular concept

- extensible (by customer)
- flexible shaping
- flexible positioning of lens hole
- each module is seperately controllable
- flexible adjustment for different mechanical demands

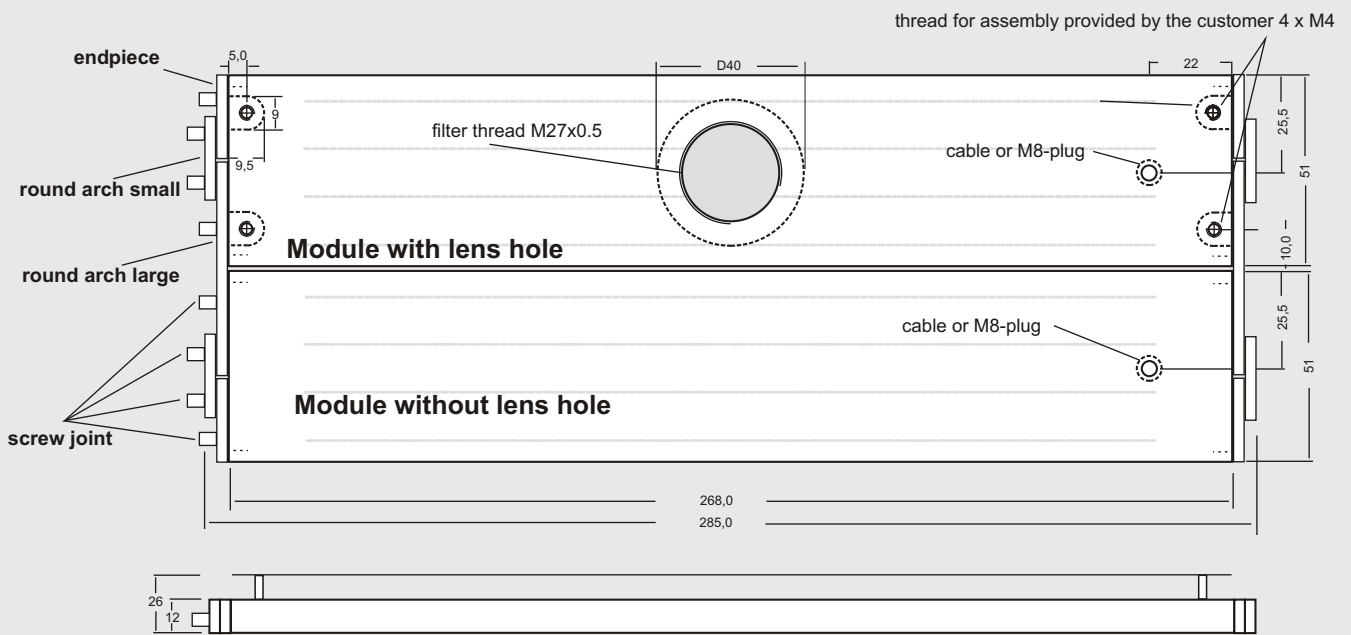
technical data / optical properties

case:	Alu, black anodised
diffusor / filter foil (standard):	0,5 mm exchangeable
connecting filter thread:	40,5 x 0,5
weight per module:	approx. 285g
number of LEDs per module:	64 UHB SMD-LEDs
standard colors:	red 617 nm, IR 880nm, white x:0,32 y:0,33
current consumption red:	12VDC: ca 220mA; 24VDC: ca 110mA
IR:	12VDC: ca 450mA; 24VDC: ca 225mA
white:	12VDC: ca 500mA; 24VDC: ca 250mA

Büchner Lichtsysteme GmbH * Büschelstraße 8 a * D-86465 Weiden
Tel. +49(0)8293-909112 * FAX -909111 * www.imaging-light-technology.com
e-mail: info@imaging-light-technology.com

we enforce vision
BÜCHNER

dimensions (mm)



MODULA-M designation for ordering

Order-No.	Description
S27-0001	MODULA-M R617 12VDC with lens hole
S27-0002	MODULA-M R617 24VDC with lens hole
S27-0003	MODULA-M R617 Strobe with lens hole
S27-0004	MODULA-M IR880 12VDC with lens hole
S27-0005	MODULA-M IR880 24VDC with lens hole
S27-0006	MODULA-M IR880 Strobe with lens hole
S27-0007	MODULA-M white 12VDC with lens hole
S27-0008	MODULA-M white 24VDC with lens hole
S27-0009	MODULA-M white Strobe with lens hole

Order-No.	Description
S27-0010	MODULA-M R617 12VDC Standard
S27-0011	MODULA-M R617 24VDC Standard
S27-0012	MODULA-M R617 Strobe Standard
S27-0013	MODULA-M IR880 12VDC Standard
S27-0014	MODULA-M IR880 24VDC Standard
S27-0015	MODULA-M IR880 Strobe Standard
S27-0016	MODULA-M white 12VDC Standard
S27-0017	MODULA-M white 24VDC Standard
S27-0018	MODULA-M white Strobe Standard

Optional:
S27-M8 M8-Plug for DC-Types