

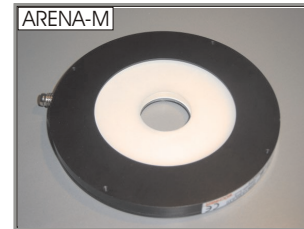
Professional Lighting Systems for Industrial Imaging

ARENA-M

The luminous LED illumination
for industrial imaging

significant qualities in short:

- long lifecycle due to LED technique
- 40 extremely luminous SMD LEDs (120°)
- inner thread: 27 x 0,5
- extreme brightness together with low proper heat generation
- high degree of homogeneity for precise evaluation
- standard colors: red 615 nm, white (x:0,32/y:0,31), other colors on demand
- available in four versions: for 12VDC, 24VDC, flash operation (flash module MAX or DUO), or for LFC (white only 24VDC)
- solid, black anodised alu case
- easy mounting (4 times through-thread M2.5)

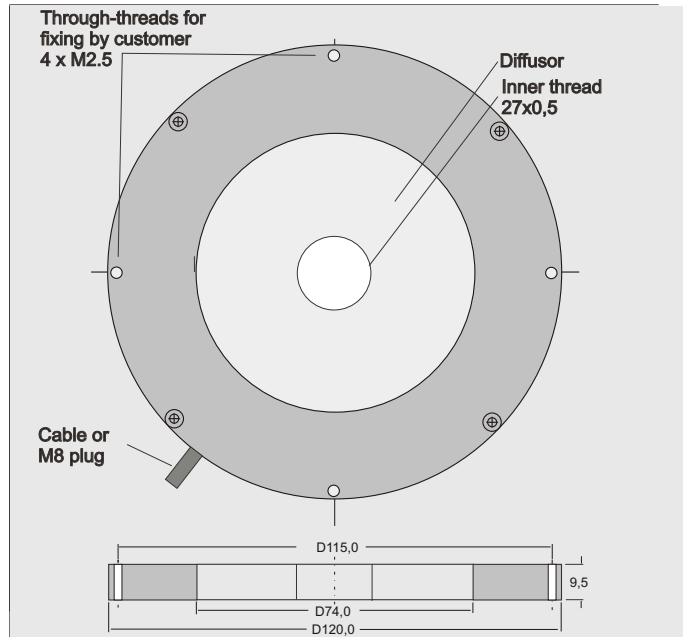


Model versions:

Order-No.	Designation
S23-0001	ARENA-M R 12VDC
S23-0002	ARENA-M R 24VDC
S23-0003	ARENA-M R Strobe
S23-0004	ARENA-M R LFC1
S23-0005	ARENA-M weis 24VDC

further models on demand

Dimensions ARENA-M



Technical data

wavelength:	red 615 nm/120°, white x:0.32/y:0.31, 120° (only 24VDC)
inner thread:	27x0,5
power supply (DC version):	red: 12VDC/24VDC approx. 60 mA, white: 24VDC approx. 120 A
lifecycle (LEDs) **:	approx. 100000 h (25° C)
ambient temperature:	max. 50° C
cablelength DC version:	1.5m
cablelength Strobe/LFC:	1m (with plug)
case:	alu (black anodised)
weight:	approx. 140g

** value given by the producer valid at a LED temperature of 25° C

Options:

plug version: with mounted M8 plug

Büchner Lichtsysteme GmbH * Büschelstraße 8 a * D-86465 Welden
Tel. +49/8293-909112 * FAX -909111 * www.imaging-light-technology.com
e-mail: info@imaging-light-technology.com

subject to technical alterations

July 2003

we enforce vision
BÜCHNER